

**GENERAL FEATURES**

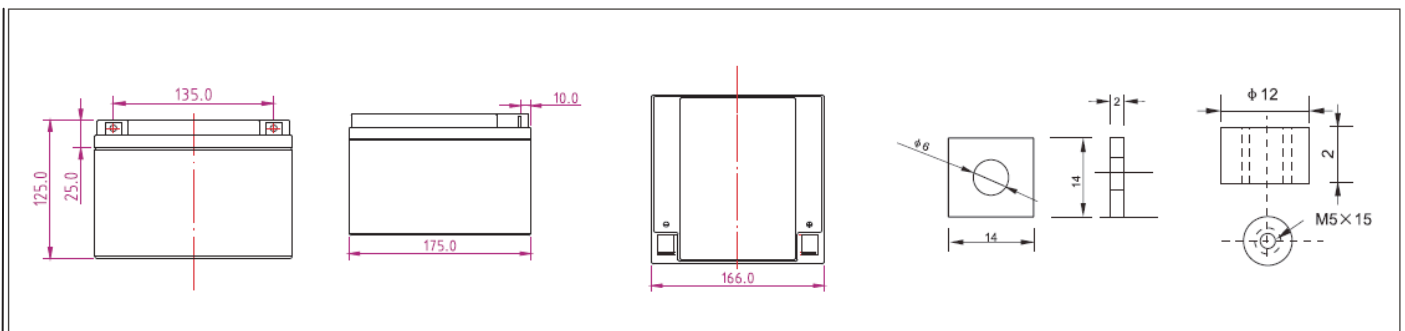
- completely sealed and maintenance-free, low self-discharge
- 100% precise quality testing, stable quality and high reliable performance
- Unique grid alloy formula, Gelled electrolyte formula and updated manufacturing technique
- Floating & standby use: up to 8 years
- Cycle use 1: More than 350 cycles at 100% DOD
- Cycle use2: More than 1800cycles at 30% DOD

**APPLICATIONS**

- Telecommunications
- UPS/EPS
- DC PowerSupply
- Solar system
- Wind Power System
- Auto Control Sytem

**SPECIFICATIONS**

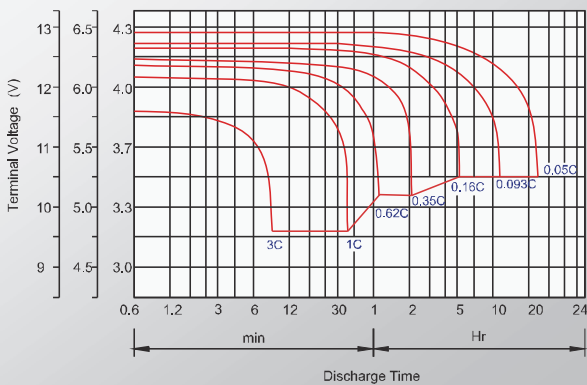
<b>Model</b>	Nominal Voltage	12V		
	Rated Capacity (20Hr rate)	26Ah		
<b>Dimensions</b>	Length	Width	Height	Total Height
	175mm (6.89")	166mm (6.54")	125mm (4.92")	125mm (4.92")
<b>Weight</b>	Approx. 8.50kg(18.73lbs) ± 3%			
<b>Capacity @25°C (77°F)</b>	20 Hour (1.3A,10.5V)	10 Hour (2.4A,10.5V)	5 Hour ( 3.92A,10.5V)	1 Hour (13.2A,10.5V)
	26.0Ah	24 Ah	19.6Ah	13.2Ah
<b>Internal Resistance</b>	Fully charged at 25°C, approx. 11mΩ			
<b>Max. Discharge current</b>	260A (5 Sec.)			
<b>Capacity Affected by Temp. (20Hr)</b>	40°C (104°F)	25°C (77°F)	0°C (32°F)	-15°C (5°F)
	102%	100%	85%	65%
<b>Self Discharge Rate @25°C (77°F)</b>	After 3 months Storage	After 6 months Storage	After 12 months Storage	
	91%	82%	64%	
<b>Charge Method</b>	Cycle Use		Float Charging	
	14.4-14.7V (Initial current less than 10.4A) @25°C (77°F)		13.5-13.8V@25°C (77°F)	

**DIMENSIONS & TERMINALS**


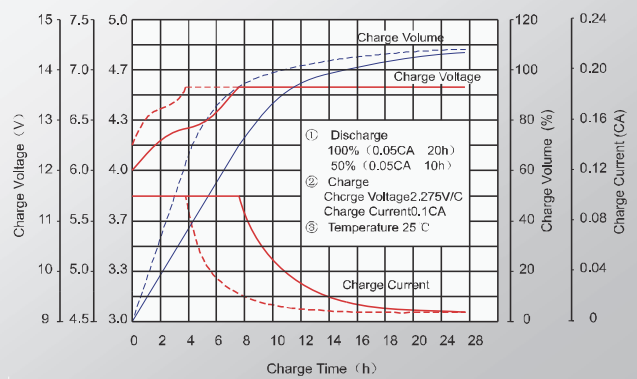
PERFORMANCE CHARACTERISTICS

Constant Current (Amp.) and Constant Power (Watt) Discharge Table @25°C (77°F)													
Cell Voltage	Time	5min	10min	15min	30min	1hr	2hr	3hr	4hr	5hr	8hr	10hr	20hr
		9.60V	A	93.60	61.36	45.50	29.90	15.60	9.10	6.70	5.37	4.56	3.01
	W	1103.90	693.30	524.30	317.40	179.80	105.30	77.50	62.20	52.80	34.80	28.50	15.60
10.20V	A	85.80	58.72	41.80	28.38	14.65	8.73	6.50	5.20	4.47	2.96	2.42	1.31
	W	1038.90	656.50	492.90	315.30	168.00	101.10	75.30	60.20	51.80	34.20	28.00	15.20
10.50V	A	78.11	54.86	39.00	27.52	14.17	8.56	6.39	4.94	4.45	2.93	2.39	1.30
	W	1003.20	637.00	471.30	312.00	164.00	99.10	74.00	57.20	51.50	33.90	27.70	15.10
10.80V	A	75.06	52.43	36.40	26.76	13.69	8.34	6.28	4.85	4.23	2.85	2.33	1.27
	W	879.70	617.50	453.90	310.90	159.30	97.10	73.10	56.50	49.20	32.50	27.10	14.70
11.10V	A	69.42	49.40	33.80	26.00	13.22	8.13	5.96	4.77	4.04	2.77	2.28	1.24
	W	850.40	596.90	432.30	308.80	157.10	96.40	71.00	56.30	48.10	31.40	26.50	14.60

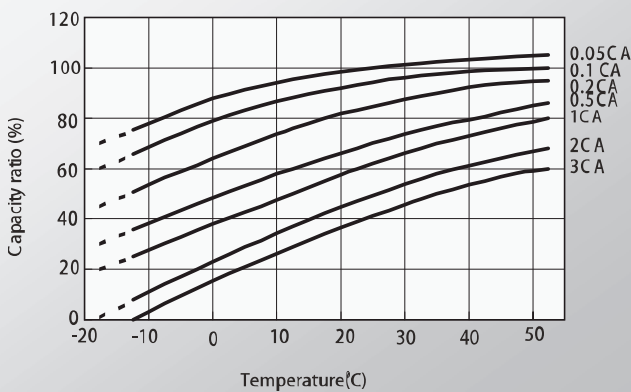
DISCHARGE CHARACTERISTICS



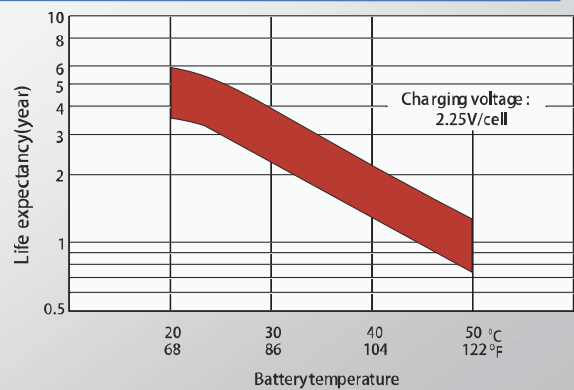
CHARGING CHARACTERISTICS (STANDBY)



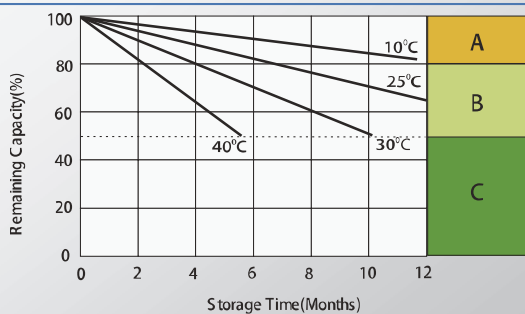
TEMP. EFFECTS IN RELATION TO BATTERY CAPACITY



EFFECT OF TEMP. ON LONG TERM FLOAT DESIGNED LIFE



SELF DISCHARGE CHARACTERISTICS



A. No supplementary charge required. (Carry out supplementary charge before use if 100% capacity is required). B. Supplementary charge required before use. Optional charging way as below:  
 1. Charged for above 3 days at limited current 0.25CA and constant voltage 2.25V/cell.  
 2. Charged for above 20hours at limited current 0.25CA and constant voltage 2.45V/cell.  
 3. Charged for 8-10hours at limited current 0.05CA.  
 C. Supplementary charge may often fail to recover the capacity. The battery should never be left standing till this is reached.

CYCLE LIFE IN RELATION TO THE DEPTH OF DISCHARGE

